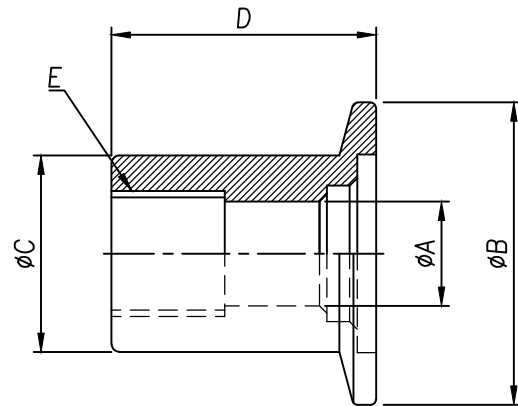



단위: MM

품목명	규격명	품목코드	A	B	C	D	E	비고
PT NIPPLE	NW25-3/8(AL/내경)	ACPNMA253800	13.8	40	26	35	3/8"	
PT NIPPLE	NW25-1/4(AL/내경)	ACPNMA251400	10.5	40	26	35	1/4"	
PT NIPPLE	NW25-1"(AL/내경)	ACPNMA251000	24.8	40	40	45	1"	
PT NIPPLE	NW25-1/2"(ZINC/CR/내경)	ACPNMZ251200	18.5	40	32	26.5	1/2"	
PT NIPPLE	NW25-3/4"(ZINC/CR/외경)	ACPNMZ253401	18.5	40	26	27	3/4"	
PT NIPPLE	NW16-1/4"(SUS/외경)	ACPNMS161401	8	29.4	20	35	1/4"	
PT NIPPLE	NW40-1 1/4"(SUS/외경)	ACPNMS401141	35	55	42	30	1 1/4"	



PT NIPPLE			
PART NAME		MATERIAL	
REMARK			
 (주)더블유에스에이 WSA CO., LTD.	DATE	SCALE	